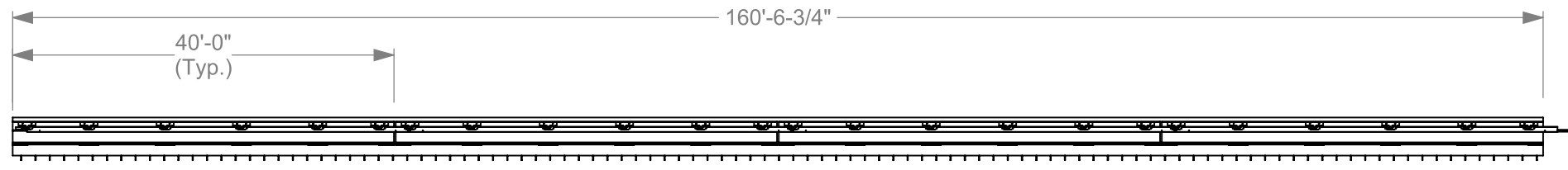
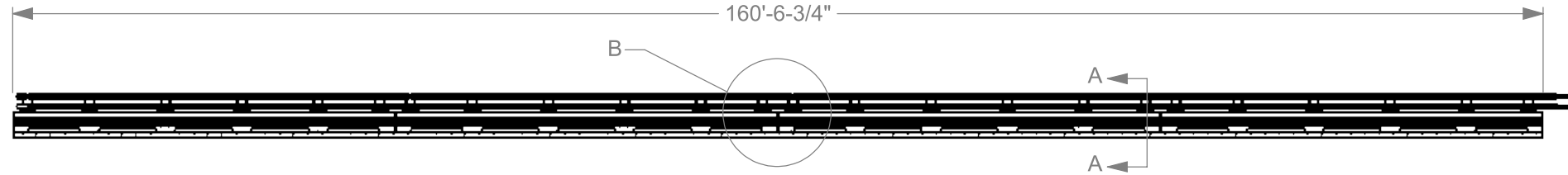


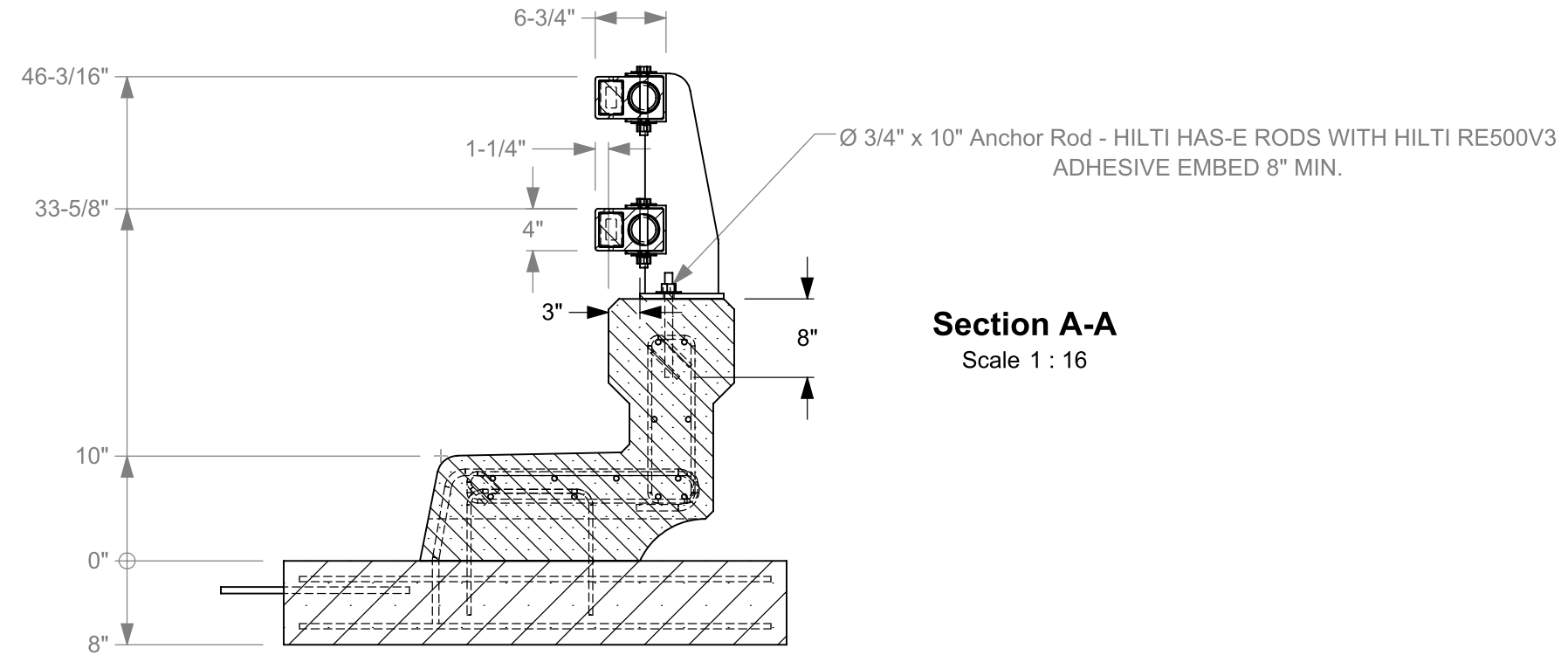
8 7 6 5 4 3 2 1



Plan View



Elevation View



PLEASE NOTE THAT THE INFORMATION CONTAINED ON THIS DRAWING IS PROPRIETARY AND IS NOT TO BE REPRODUCED WITHOUT THE EXPRESSED WRITTEN CONSENT OF MDS BARRIERS.
© MDS BARRIERS

NOTES:

FABRICATION TOLERANCES (U.N.O.)			
	MOLDED GRATING	PULTRUDED GRATING	STRUCTURAL SHAPES
LENGTH	+1/8, -5/16	±1/8	±1/8
WIDTH	+1/8, -5/16	±1/8	±1/8
HOLE LOC.	±1/16	±1/16	±1/16
CIRC. CUTS	±3/16	±3/16	N/A
NOTCHES	±1/8	±1/8	N/A
SQUARE OF CUT	1°	1°	2°
ANGULARITY	±2	±2	±2

DO NOT STACK TOLERANCES

REV	DATE	BY	DESCRIPTION	CHK	ENG	APPR	CLIENT

	DESIGNED BY:	NAME	DATE
	DRAWN BY:	TDS	2017-11-08
	CHECKED BY:		
	APPROVED BY:		
	SCALE:	NTS	

		MDS BARRIERS 43 FRANKLIN ST EAT HARTFORD CT 06108 TEL: 860-299-8033 WWW.MDSBARRIERS.COM		COMPANY NAME TITLE: LIFERAIL SECTION VIEW	
		PROJECT NO:	XXX		

8 7 6 5 4 3 2 1